

MYERS® MDC33/MDC50

The Myers MDC series cast iron sump/light effluent pumps are designed to operate in a variety of installations. A unique combination of corrosion-resistant materials make these pumps a great choice for extreme conditions. Pump intake screen, impeller, volute base, switch, and power cord are serviceable. Available in 1/3 and 1/2 HP models.

APPLICATIONS

Sump/Light Effluent Dewatering

SPECIFICATIONS

Capacities – Up to 62 GPM (234 LPM)

Shut-off Head – Up to 32' (9.75 m)

Operation – Tethered Models

On: 12-1/2" (318 mm)

Off: 3-1/2" (89 mm)

Vertical Models

On: 6-1/2" (165 mm); Off: 2" (51 mm)

Solids Handling – 1/2" (12.7 mm)

Liquids Handling – Drainage effluent

Continuous Liquid Temperature – 130°F (54°C)

Motor/Electrical Data – 1/3 HP, 9.8A; 1/2 HP, 12A; shaded pole with thermal overload protection, 115V, 1Ø, 60Hz, 1550 RPM

Acceptable pH Range – 6-9

Shaft Seal – Carbon and ceramic

Housing – Heavy cast iron

Power Cord – 10' (3 m) or 20' (6 m), 16/3, SJTW, SJTW-A

Discharge, NPT – 1-1/2" (38 mm)

Min. Basin Diameter –

Tethered: 14" (356 mm)

Vertical: 10" (254 mm)



FEATURES

Solid and Reliable

High-endurance, oil-cooled motor provides continuous bearing lubrication and maximizes heat dissipation

Eliminates Failures

Shaded pole motor eliminates failure-prone switches and relays

Motor Protection

Long-life carbon/ceramic seal protects motor against water leakage

Thermal Overload

Heat sensor overload protection with automatic reset when motor cools to a safe operating temperature

Extended Service

Lubricated ball bearings and shaft seal for longer service life

No Drilling Required

Anti-airlock hole in base reduces added labor

Piggyback Plug for Convenience

Vertical and tethered switch models offer a piggyback plug for automatic operation

ORDERING INFORMATION

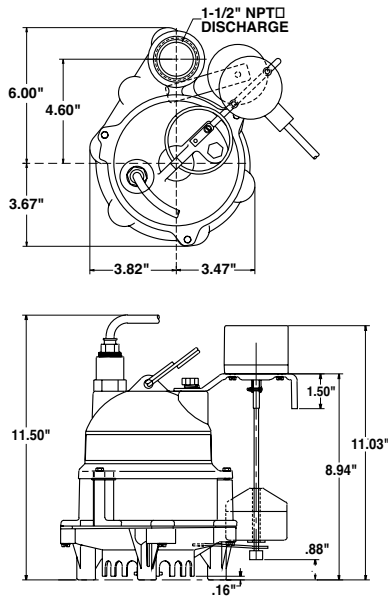
CATALOG NUMBER	SWITCH CONFIGURATION	CORD LENGTH	HP	VOLT/ PHASE	CONSTRUCTION	DISCHARGE SIZE	APPROX. WT. LBS.
MDC33P1	Tethered with Piggyback Plug	10'	1/3	115/1	Cast Iron	1-1/2" NPT	25
MDC33PC1*	Tethered with Piggyback Plug	20'					
MDC33V1	Vertical with Piggyback Plug	10'					
MDC33120V	Vertical with Piggyback Plug	20'	1/2				
MDC50P1	Tethered with Piggyback Plug	10'					
MDC50PC1	Tethered with Piggyback Plug	20'					
MDC50V1	Vertical with Piggyback Plug	10'					
MDC50VC1	Vertical with Piggyback Plug	20'					
MDC5010M	Manual	10'					

* 30' Cord Optional

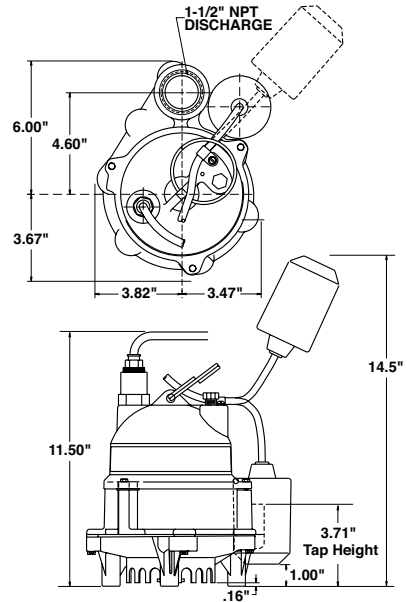
MYERS® MDC33/MDC50

DIMENSIONS

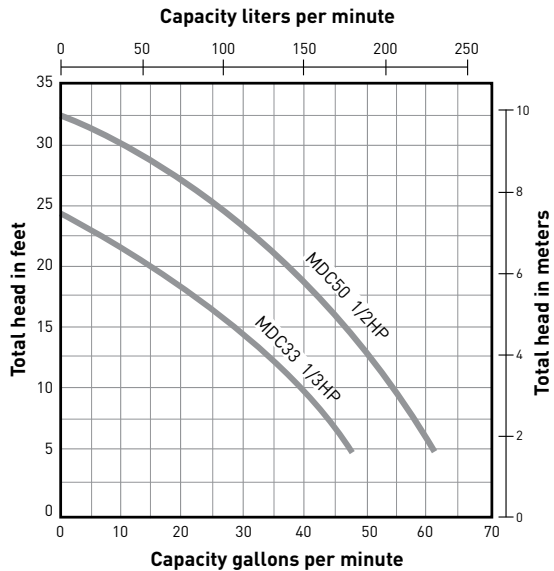
Vertical Float –
Designed to fit 10”
or larger basins



Tethered Float –
Designed to fit 14”
or larger basins



PUMP PERFORMANCE



USA
293 WRIGHT STREET, DELAVAN, WI 53115 WWW.FEMYERS.COM
PH: 888-987-8677 ORDERS FAX: 800-426-9446

CANADA
490 PINEBUSH ROAD, UNIT 4, CAMBRIDGE, ONTARIO N1T 0A5
PH: 800-363-7867 ORDERS FAX: 888-606-5484

Because we are continuously improving our products and services, Pentair reserves the right to change specifications without prior notice.